



# ZW32-24/630-20 Catalogue

Outdoor high vacuum circuit breaker



For Reliable, Secure and Economical Energy System Operation

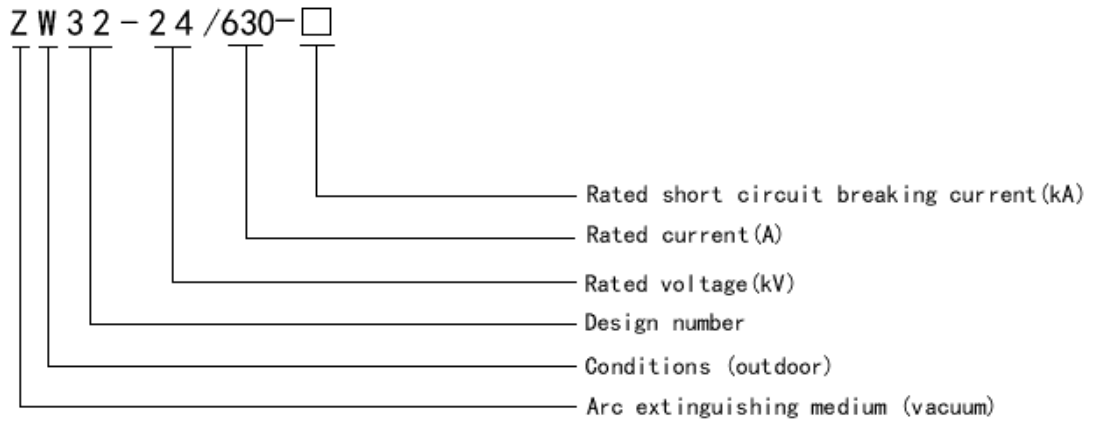
Dongfang Electronics International Engineering Co., Ltd.

Dongfang Electronics Co., Ltd.

# **1. General Overview**

## **1.1 Application**

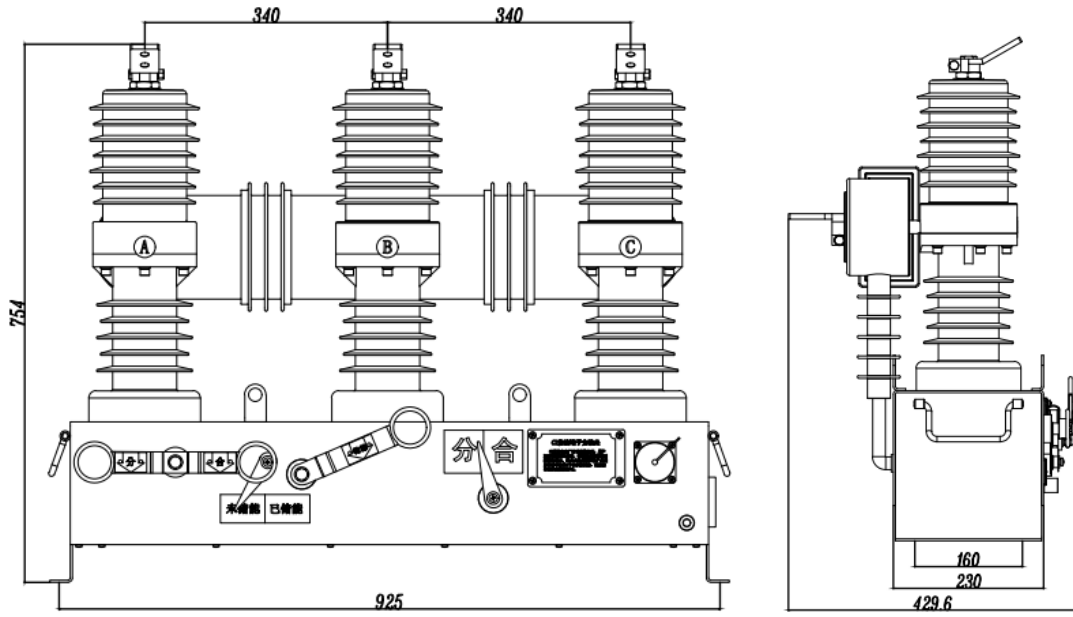
## 1.2 Composition and meaning of the product model



## 1.3 Environmental conditions of use

				15g

### 1.4 Equipment size





## **2. Basic components**

### **2.1 Vacuum interrupter**

### **2.2 Operating mechanism**

### **2.3 Current Transformer**

## **3. Features**

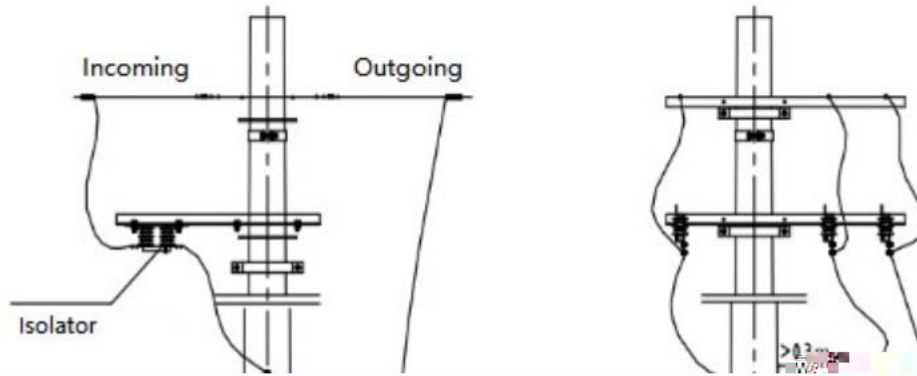
## **4. Installation and commissioning**

### **4.1 Lifting of equipment**

### **4.2 Fixing of equipment**

### **4.3 On-site installation guidance**

## Installation schematic





## 4.4 Field trials

### Insulation withstand voltage test

#### A.) Test 1 to ground operating procedures:

- 
- 
- 
- 

#### B.) Test 2 interphase operating procedure:

- 
- 
- 
- 

#### C.) Test 3 fracture operation procedure:

- 
- 
- 
- 
- 
-

## **5. Application and Maintenance**

**"WARNING"**

**Application**

**Maintenance**

**External inspection**

Dongfang Electronics International Engineering Co., Ltd.

Dongfang Electronics Co., Ltd.

Address: 2 Jichang Road, Yantai, Shandong Province, P.R. China, 264000

Tel: +86-535-5520925

Fax: +86-535-5520930

Email: [idf@dongfang-china.com](mailto:idf@dongfang-china.com)

Website: <http://www.dongfang-china.com/en>



THE INFORMATION CONTAINED IN THIS DOCUMENT IS THE PROPERTY OF DONGFANG ELECTRONICS INTERNATIONAL ENGINEERING CO., LTD. ALL RIGHTS RESERVED.